

GV-LED-MINI

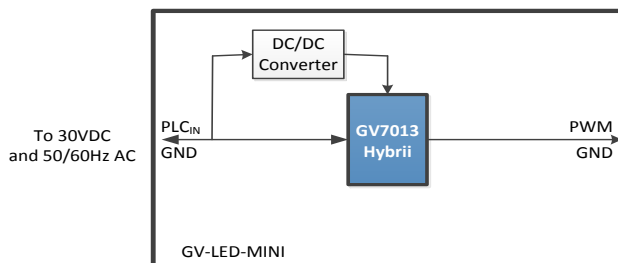
Greenvity's GV-LED-MINI is a module featuring the GV7013 Powerline Communications SoC meant for use with the Universal IoT Hub (GV-Controller-S).

PRODUCT DESCRIPTION

The GV-LED-MINI is a powerline communications module powered by Greenvity's GV7013 Hybrid-Mini SoC. The GV-LED-MINI delivers half-duplex, asynchronous data communication over DC power lines at PHY data rates up to 9.8 Mbps and features a PWM output. The GV-LED-MINI is part of Greenvity's family of products meant to operate with the GV-Controller-S.



GV-LED-MINI BLOCK DIAGRAM



3 x 5 cm²

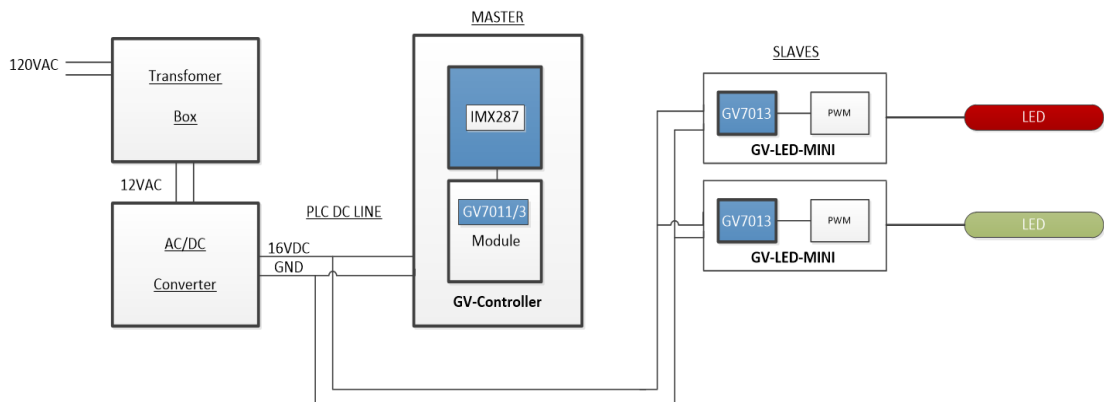
GV-LED-MINI Block Diagram

GV-LED-MINI FEATURES

1. On board GV7013 powerline SoC
2. Powerline communications for long range
3. On/Off, dimming, color toning and color temperature LED control through a PWM output
4. LED control compatible with major power LED supplies and drivers
5. Suitable for landscape, parking, decorative and outdoor LED lights
6. Functions on up to 30 VDC and 50/60Hz AC lines
7. Utilizes a single low cost 24 MHz crystal
8. On-board DC/DC converter eliminates the need for separate supplies
9. Industrial temperature range from -40 to +85°C

GV-LED-MINI and GV-Controller-S

The GV-LED-MINI is designed to operate with the GV-Controller-S through the powerline. When the GV-LED-MINI is used with the GV-Controller-S, it can be used as a Slave within a LED system. In order to complete a LED system, Greenvity offers the GV-Sensor to form a Smart LED system.



Smart LED System featuring the GV-Controller-S and GV-LED-MINI

TARGET APPLICATIONS

- Smart LED Lighting Control
- Controlled LED lighting, signage and display
- Home/Building Energy Management System

ORDERING CODE

Ordering Code	Description
GV-LED-MINI	Powerline module
GV-Controller Universal IoT Hub	Home Gateway and LED Lighting Controller
GV-Sensor	All-in-One Sensor module
GV7011	Hybrii-XL SoC



Smart LED Lighting Control with Sensor Network

For more information, please contact Greenvity

Greenvity Communications

Phone: +1 408 935 9434

Email: sales@greenvity.com

www.greenvity.com

673S. Milpitas Blvd., Suite 204, Milpitas, CA 95035

The information in this document is subject to change without notice. Greenvity Communications assumes no responsibility for any inaccuracies that maybe contained in this document, and makes no commitment to update or to keep current contained information. Greenvity Communications reserves the right to make changes, at any time, in order to improve reliability, function or design and to attempt to supply the best products to the market. Greenvity, Hybrii, GreenLite, GLED, and GV-HDP1 are either registered trademarks or trademarks of Greenvity Communications. HomePlug and HomePlug Green PHY are trademarks of HomePlug Alliance. All other trademarks or registered trademarks are the property of their respective owners.